



1/2/4 Channel DMX to PWM LED Tape Driver

The Anytronics DMX to PWM LED driver provides four controllable PWM outputs for controlling LED loads connected with common anodes to a single supply in the range 12-24V dc. Where necessary, multiple supply configurations are also possible provided that the unit is also powered from the highest supply voltage in the range 12-24V. (See overleaf).

The start address for controlling DMX data can be set in the range 1-512 and data at one, two or four DMX addresses used to control the four outputs, each of which is rated and protected at 5A which allows 1 channel of 20A, 2 channels of 10A or 4 channels of 5A to be selected.

The three versions of the unit offer DMX In and DMX Through connections either on screw terminal or on RJ45 (computer style) connectors or one of each connector. If selected, the RJ45 DMX In connector also provides a 100mA +5V supply for powering a variety of DMX sources such as Anyscene, Anycolour or AMD architectural panels. Alternatively screw terminals can be fitted to provide the DMX connections.

- Provides 500Hz PWM control for four channels of constant voltage LED lighting
- Individual overcurrent and short circuit protection on each output
- Full DMX addressing range
- One, two or four decoded DMX addresses control the outputs
- Standard RJ45 DMX In and Through connectors
- +5V power on DMX In connector to power Anyscenes, AMD4, Anycolour etc.
- Phased PWM outputs reduce peak loading on power supplies when dimming
- 16 bit dimming provides extremely smooth stepless dimming and selectable linear and square law dimming laws
- Selectable fast (~5Hz) and slow (~1Hz) responses
- Synchronised outputs for higher current rating circuits
- DMX data hold on DMX disconnection

This product is designed and manufactured by Anytronics in the UK.

Specifications

Model	PWM405
Part Codes	LED124R (2 x RJ45) LED124S (2 x 3 Way Screw Terminals) LED124RS (1 x RJ45 - 1 x 3 Way Screw Terminal)

Supply

Operating Voltage	12-24V dc with power supply matched to load circuits
-------------------	--

Output

Four PWM controlled outputs for common anode LED connection
Outputs rated and protected to 5A rating per channel
RJ45 'Data in' connector provides +5V, 100mA dc supply

Controls

DMX input on RJ45 connector for Category 5 data and supply cable.
Use Cat 5 shielded cable in noisy environments

Temperature

Recommended ambient in range 0-40°C

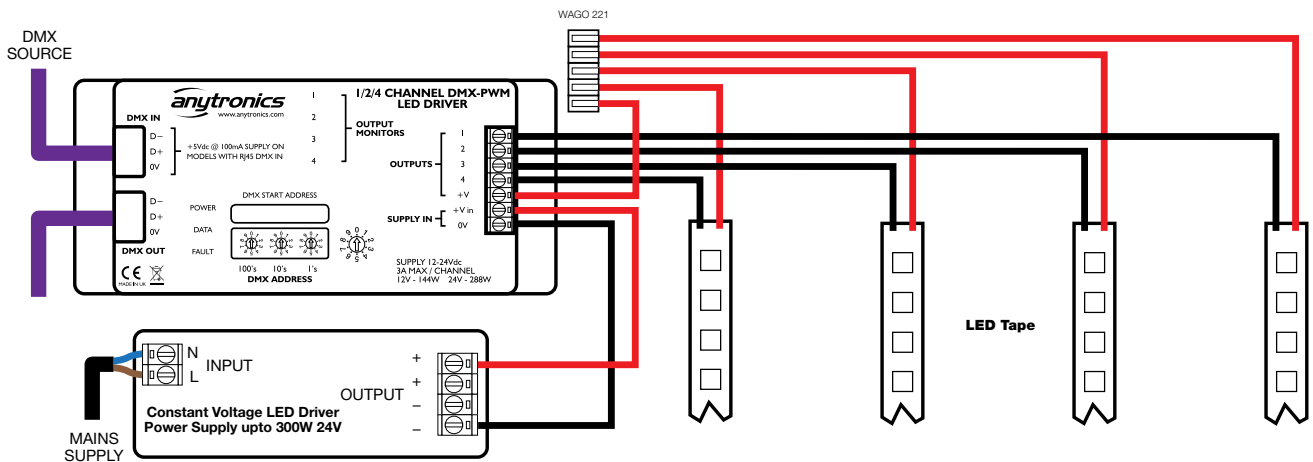
Dimensions

L 158mm (including 2 x 13mm flanges) W 70mm H 25mm

Weight

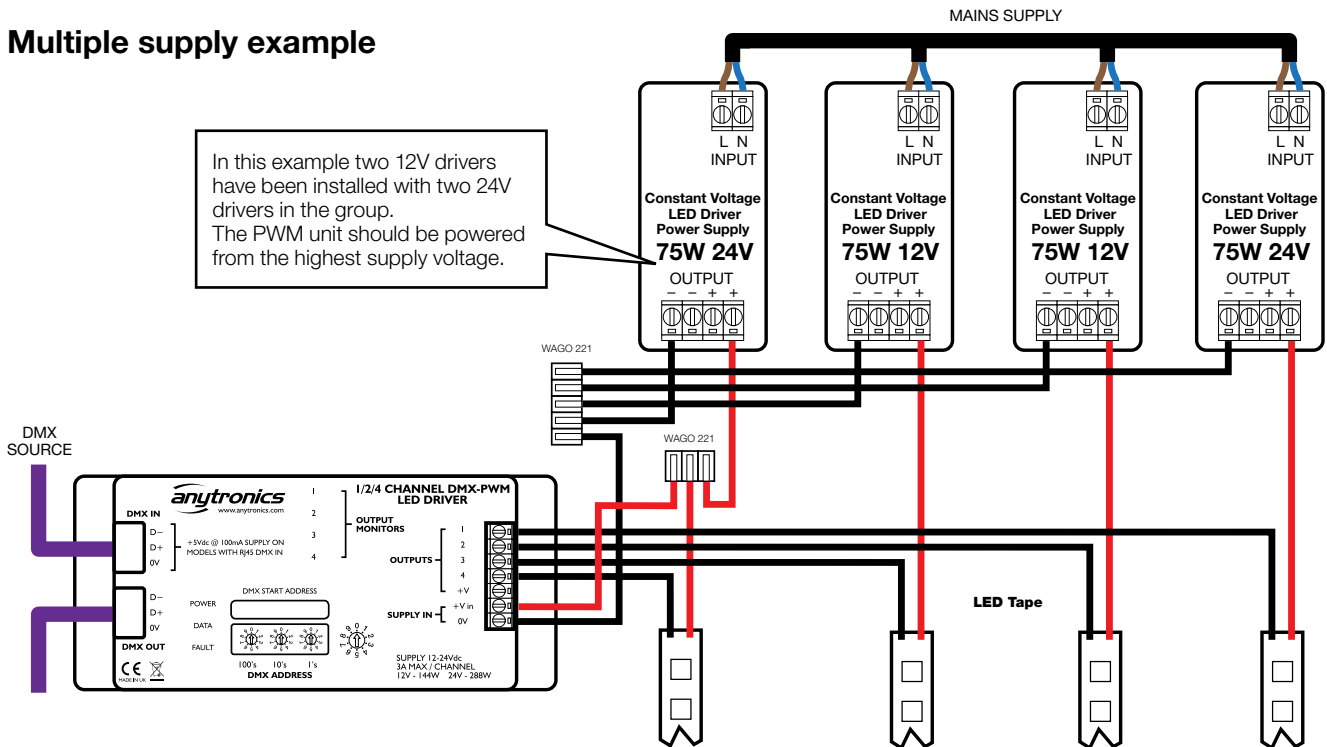
Gross including packaging 0.4kg
Net Weight 0.3kg

Single supply example



CAUTION: DO NOT HOT WIRE. Ensure all connections to driver are in place before powering up

Multiple supply example



anytronics

Anytronics Limited

Units 5-6 Hillside Industrial Estate, London Road, Horndean, Hants, England, PO8 0BL, UK

Tel: +44 (0)23 92 599410 Fax: +44 (0)23 92 598723 email: sales@anytronics.com www.anytronics.com

Specifications and designs are subject to change without notice or obligation on the part of the manufacturer.
© 2018 Anytronics Limited